

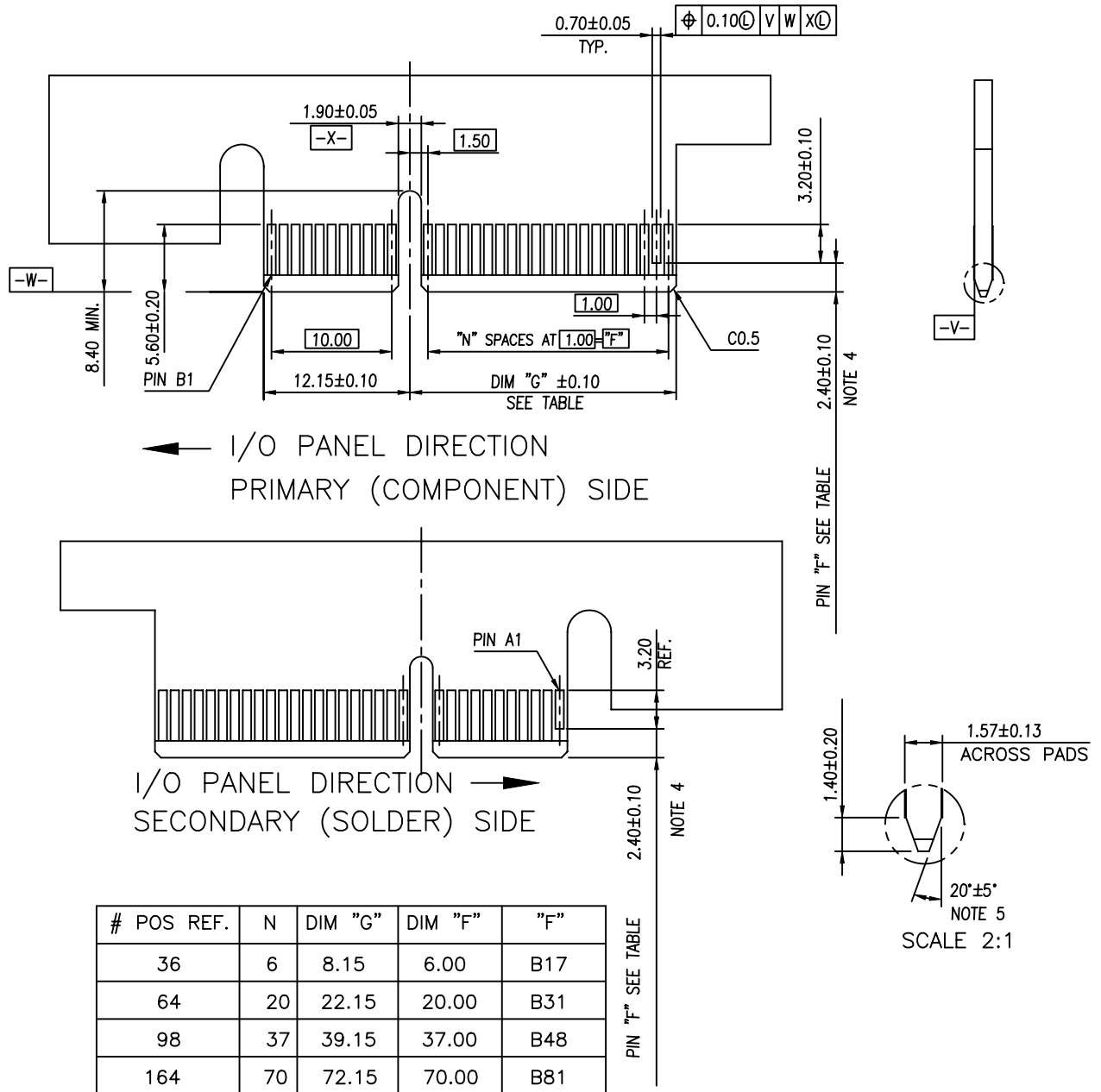
HOLD DOWN TYPE



FCIconnect.com

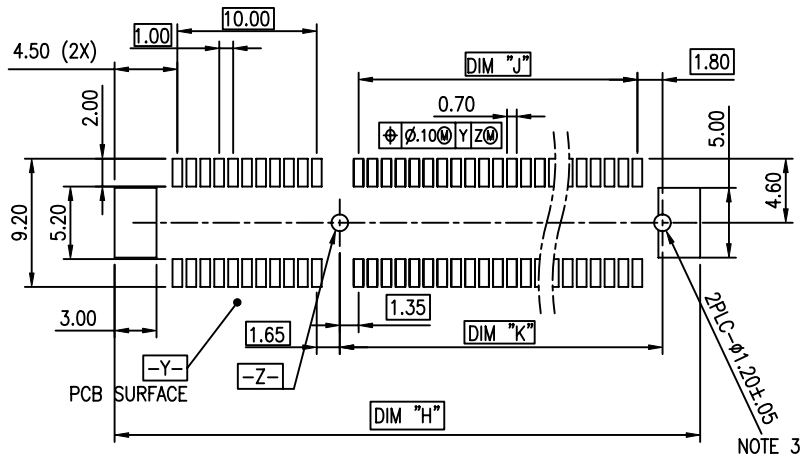
Copyright FCI

mat'l. code				surface 58 / tolerance		projection		product family					
-				ISO 1302 ✓		ISO 406 ISO 1101		PCI_EXPRESS					
ltr	ecn no	dr	date	tolerances unless otherwise			specified	title					
A	T07-0002	RC	01/24/'07	angles linear	.X±.3			MM	PCI_EXPRESS_CARD_EDGE ASSEMBLY(SMT)				
B	T07-0005	RC	02/06/'07		.XX±.20								
C	T07-1083	RC	05/25/'07		XXX±.10								
D	T07-1120	RC	07/31/'07	dr	MAGGIE_WU	06'/6/21	FCI	dwg no		sheet 1 of 6	size		
E	DG08-0111	RC	05/08/'08	eng	RICHARD_CHIU	06'/6/21		10061913		A4			
F	T08-1097	RC	06/03/'08	chr	PAUL_WANG	06'/6/21		type		CUSTOMER Drawing			
sheet index				revision	F	A	F	A					
sheet				1	2	3	4	5	6				



ADD-IN CARD EDGE-FINGER DIMENSIONS

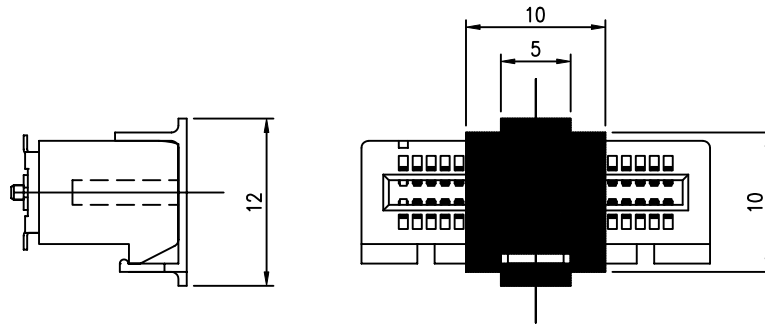
mat'l. code				surface 58 / tolerance		projection		product family				
-				ISO 1302 ✓		ISO 406 ISO 1101		PCI_EXPRESS				
ltr ecn no dr date				tolerances unless otherwise		specified		title				
A - - -				angles linear		.X±.2		PCI_EXPRESS_CARD_EDGE ASSEMBLY(SMT)				
				0°±2°		.XX±.13						
						XXX±.05		scale 2				
				dr		MAGGIE_WU 06'/6/21		dwg no		sheet 2 of 6		size
				eng		RICHARD_CHIU 06'/6/21		10061913				A4
				chr		PAUL_WANG 06'/6/21		type		CUSTOMER Drawing		
				app		JOSEPH_HSIA 06'/6/21						
sheet index		revision sheet		A								
		2										



RECOMMENDED PCB LAYOUT, PAD TYPE

DIMENSIONS								
POSITION	A	B ± 0.15	C ± 0.20	D ± 0.23	E ± 0.20	H ± 0.10	J	K ± 0.10
36	6.00	7.65	9.15	25.00	27.00	28.00	6.00	9.15
64	20.00	21.65	23.15	39.00	41.00	42.00	20.00	23.15
98	37.00	38.65	40.15	56.00	58.00	59.00	37.00	40.15
164	70.00	71.65	73.15	89.00	91.00	92.00	70.00	73.15

POSTION OF CAP



FCIconnect.com

Copyright FCI

mat'l. code				surface 58		tolerance		projection		product family					
-				ISO 1302		ISO 406 ISO		1101		PCI_EXPRESS					
ltr		ecn no		dr		date		tolerances unless otherwise specified		title					
F		-		-		-		.X \pm .2		PCI_EXPRESS_CARD_EDGE ASSEMBLY(SMT)					
								MM							
								scale 2							
				dr		MAGGIE_WU		06'/6/21		dwg no		sheet 3 of 6		size	
				eng		RICHARD_CHIU		06'/6/21		10061913				A4	
				chr		PAUL_WANG		06'/6/21		type		CUSTOMER Drawing			
				app		JOSEPH_HSIA		06'/6/21							
sheet index		revision sheet		F		3									

NOTES:

1.MATERIAL:

HOUSING: NYLON, GLASS FILLED UL94V-0 RATE, SUITABLE FOR I.R SOLDERING.

TERMINAL: COPPER ALLOY

PLATING: 50u" NICKEL UNDERPLATE ALL OVER CONTACT AREA PLATING - SEE PRODUCT NUMBER CODE SOLDER TAIL: TIN 100u" OVER 50u" NICKEL

METAL PADS: COPPER ALLOY FINISH: 100u" TIN OVER 50u" NICKEL

2.PRODUCT SPECIFICATION: GS-12-390

③THE HORIZONTAL AXIS FOR THE PAD PATTERN IS ESTABLISHED BY A LINE THROUGH THE CENTER OF THE TWO Ø1.0 HOLES. THE VERTICAL AXIS IS 90° TO THE HORIZONTAL AXIS, THROUGH THE CENTER OF DATUM [Z]

④NO TIE BAR PERMITTED FROM CARD EDGE TO LEADING EDGE OF PAD FOR PINS A1.

⑤CHAMFER EDGES MUST BE FREE OF CUTTING BURRS.

7.RoHS COMPATIBLE PRODUCT SPECIFICATIONS

a - PLATING:

- "LF" MEANS THE PRODUCT IS LEAD-FREE, 2um MINIMUM MATTE TIN OVER 1.27um MINIMUM NICKEL UNDERPLATE.

b - MANUFACTURING PROCESS COMPATIBILITY

- THE HOUSING WILL WITHSTAND EXPOSURE TO 260°C±5°C PEAK TEMPERATURE FOR 5 SECONDS IN A CONVECTION, INFRA-RED OR VAPOR PHASE REFLOW OVEN.

PRODUCT NUMBER CODE

10061913-X X X X L F

HOUSING COLOR OPTIONS

0-WHITE
1-BLACK

LEAD FREE

PACKAGING OPTIONS

T-TRAY PACKAGING WITHOUT CAP
R-TAPE & REEL PACKING WITHOUT CAP (FOR 36P&64P OPTIONS ONLY)
P-TAPE & REEL PACKING WITH CAP (FOR 36P&64P OPTIONS ONLY)
C-TRAY PACKAGING WITH CAP (FOR 36,64,98P OPTIONS ONLY)

TERMINAL PLATING OPTIONS

0-50u" Ni UNDERPLATE
30u" Au CONTACT AREA
100u" TIN TAIL AREA ----- COMPATIBLE RoHS
1-50u" Ni UNDERPLATE
15u" Au CONTACT AREA
100u" TIN TAIL AREA ----- COMPATIBLE RoHS
2-50u" Ni UNDERPLATE
GOLD FLASH CONTACT AREA
100u" TIN TAIL AREA ----- COMPATIBLE RoHS

POS OPTIONS

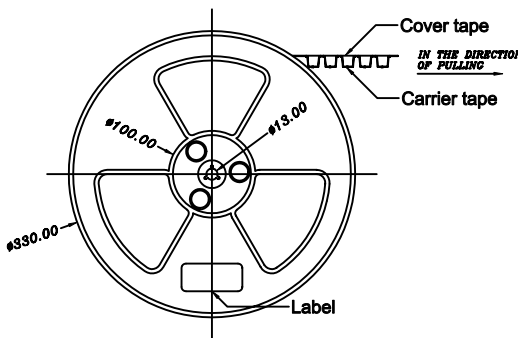
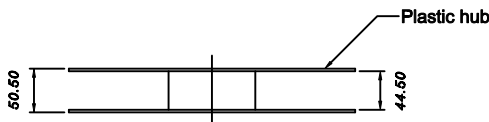
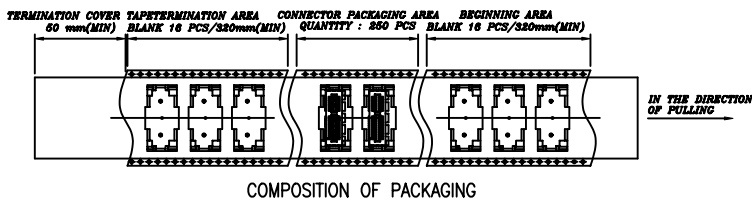
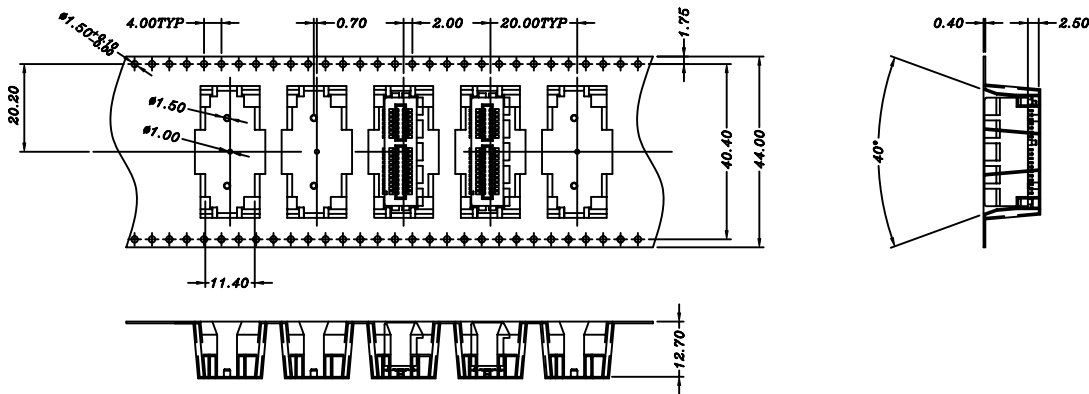
0-36
1-64
2-98
3-164



FCIconnect.com

Copyright FCI

mat'l. code -				surface 58/ISO 1302 ✓		tolerance ISO 406 ISO 1101		projection		product family PCI_EXPRESS			
ltr ecn no dr date				tolerances unless otherwise specified		angles linear		MM		title PCI_EXPRESS_CARD_EDGE ASSEMBLY(SMT)			
D - - -				.X±.2		0°±2'		scale 2		dwg no sheet 4 of 6 size			
				eng MAGGIE_WU 06'/6/21		RICHARD_CHIU 06'/6/21		FCI		10061913 A4			
				chr PAUL_WANG 06'/6/21		JOSEPH_HSIA 06'/6/21				type CUSTOMER Drawing			
sheet index		revision sheet		D 4									



TAPE AND REEL
PACKING
RECOMMENDED FOR
36PINS ONLY

mat'l. code				surface 58		tolerance		projection		product family			
-				ISO 1302		ISO 406 ISO		1101		PCI_EXPRESS			
ltr ecn no dr date				tolerances unless otherwise		angles		specified		title			
F - - -				linear		.X±.3		MM		PCI_EXPRESS_CARD_EDGE ASSEMBLY(SMT)			
				0°±2°		.XX±.20		scale 1		dwg no sheet 5 of 6 size			
				dr MAGGIE_WU 06'/6/21		XXX±.10		FCJ		10061913 A4			
				eng RICHARD_CHIU 06'/6/21						type CUSTOMER Drawing			
				chr PAUL_WANG 06'/6/21									
				app JOSEPH_HSIA 06'/6/21									
sheet index		revision sheet		F 5									



Copyright FCI
FCIconnect.com

1 For PCI EXPRESS SMT TYPE 36P ONLY.

2. Material :

- 2.1 Reel :
 - 2.1.1 Plastic hub : High Impact Polystyrene
 - 2.1.2 Cover tape : PE
 - 2.1.3 Carrier tape : ABS
- 2.2 Waterproof bag : PE
- 2.3 Desiccative : Silica Gel
- 2.4 Carton : Corrugated paper
- 2.5 Baffle : E.P.E
- 2.6 Angle paperboard : Corrugated paper

3. Dimension :

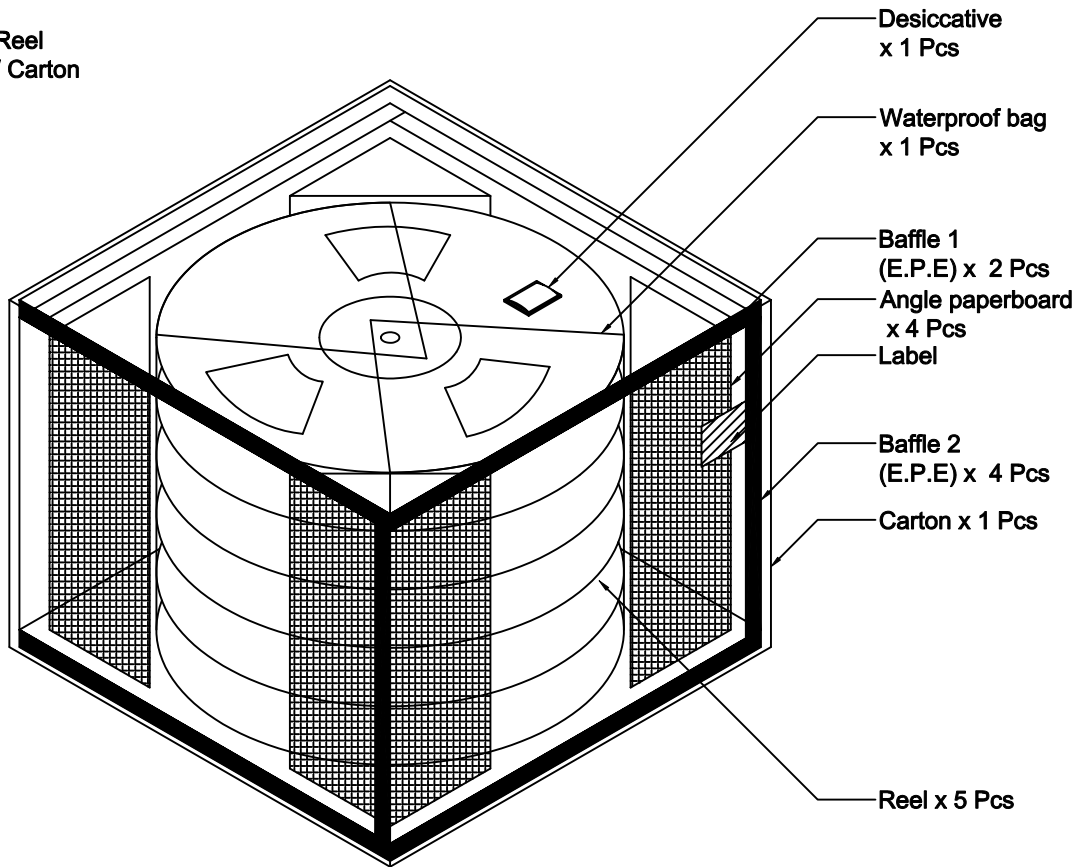
- 3.1 Reel :
 - 3.1.1 Plastic hub : $\phi 330 \times T50.5$ mm
 - 3.1.2 Cover tape : 5690(L) x 37.4(W) mm
 - 3.1.3 Carrier tape : 5640(L) x 44(W)mm
- 3.2 Waterproof bag : 600(H) x 465(W) x 0.06(T) mm
- 3.3 Desiccative : 25 gram / Package
- 3.4 Carton : 380(L) x 380(W) x 300(H) mm
- 3.5 Baffle (1): 370(L) x 370(W) x 15(H) mm
- 3.6 Baffle (2): 355(L) x 252(W) x 15(H) mm
- 3.7 Angle paperboard : 252(H)

4. Quantity :

- 4.1 250 Pcs / Reel
- 4.2 1250 Pcs / Carton

5. Weight :

- 5.1 N/W :
- 5.2 G/W :



FCIconnect.com

Copyright FCI

mat'l. code				surface 58 / tolerance		projection		product family			
-				ISO 1302 <input checked="" type="checkbox"/> ISO 406 ISO 1101				PCI_EXPRESS			
ltr		ecn no		dr		date		title			
A		-		-		-		PCI_EXPRESS_CARD_EDGE ASSEMBLY(SMT)			
				angles		linear		MM			
				0°±2'				scale 1			
				dr		MAGGIE_WU 06'/6/21		dwg no		sheet 6 of 6	
				eng		RICHARD_CHIU 06'/6/21		10061913		A4	
				chr		PAUL_WANG 06'/6/21		type		CUSTOMER Drawing	
				app		JOSEPH_HSIA 06'/6/21					
sheet index		revision sheet		A		6					